

Building a better future

**Global Leader**

[www.hyundai-ce.com](http://www.hyundai-ce.com)

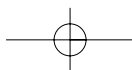
Electric Towing / Platform Trucks

**40T / 15P**



\* Photo may include optional equipment.

 **HYUNDAI**  
HEAVY INDUSTRIES CO., LTD.





*The Environmentally-Friendly Electric Towing / Platform Trucks*

## ***Revolutionizing productivity in the material industry!***

**Maximize the productivity of your business with our powerful and agile electric trucks.**

With our vast experience in the production of construction equipment, Hyundai is able to meet the demands of our customers.

40T/15P, produced by Hyundai, are economical, environmentally friendly and allow for convenient maintenance. Also their improved maneuverability and quiet operation make these products one of the most widely-used towing maintenance truck in trade and distribution companies around the world.



■ The anti-rollback function ensures smooth restarting even on slope's without moving reverse.

■ Anti-roll off: This feature is designed so that a stopped vehicle pointing down hill will not gather speed after releasing the brake pedal. This by using generated electrical current as braking power. Even by driving down hill the system will control your speed.

■ Adapting DC-DC CONVERTER CHARACTERISTIC

- High frequency (Silent operation)
- Protection against short circuit, overload, reverse polarity
- IP67 protecting rating
- Improvement of safety & performance during operation
- Improvement of maintenance & durability

## ***Hyundai Tow/Platform Truck Series***

**40T/15P**

## Quiet and Environmentally-Friendly 40T/15P

Hyundai's electrical powered towing/platform trucks provide quiet and environmental friendly operation in all kinds of business; from automotive till alimentation factories.



### Information holder

A right hand side area can be used to hold administration papers during work.



### Adjustable Steering Wheel

For maximum operator's comfort, the steering wheel can be adapted to the required position.



### Accelerator

A contact less accelerator system is installed to enhance durability of the machine.



### Side steps

Anti slip side steps are designed for safe and easy access to your truck.



### Quick and easy oil check

Oil maintenance made easy due to an easy access port.



### Front wheel hydraulic power-steering

The hydraulic powered steering reduces operators fatigue and gives quick and easy directional control.



### Optimum operator space

Human engineering created an optimum driver space which gives a car alike feeling.



### Instrument panel

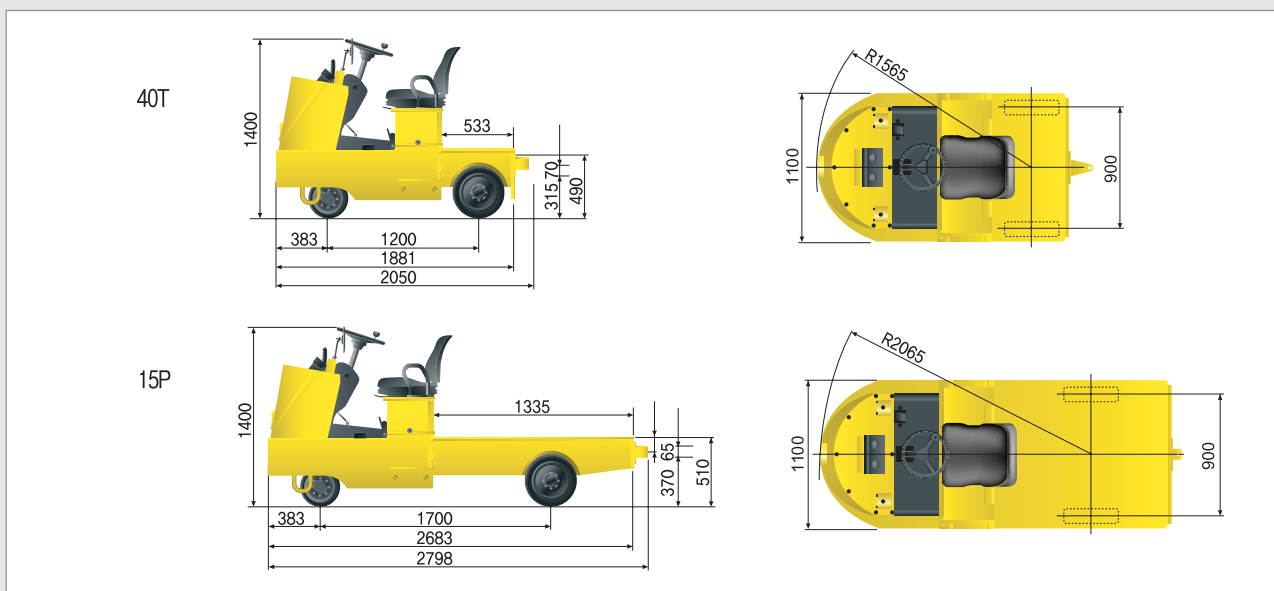
All switches and indicators are centralized in a well arranged instrument panel.



### Parking Brake System

The parking lever requires less effort from the operator to set.

## Dimensions



## Specifications

Description		Unit	40T	15P	
PERFORMANCE	Capacity	kg	4,000	1,500	
	Travel Speed	Loaded	km/h	8	8
		Unloaded	km/h	10	10
	Outside Turning Radius	mm	1,565	2,065	
DIMENSION	Overall Length	mm	2,050	2,798	
	Overall Width	mm	1,100	1,100	
	Overall Height	mm	1,400	1,400	
	Wheel Base	mm	1,200	1,700	
	Wheel Tread – Rear	mm	900	900	
	Weight(Unloaded)	kg	1,250	1,200	
POWER TRAIN	Drive Motor	kw	2.7	2.7	
	Battery	Voltage	V	48	48
		Capacity	AH/5HR	280	280
Control Type		-	S.E.M	S.E.M	
TIRE	Size, Front	-	Φ 305x127(1)	Φ 305x127(1)	
	Size, Rear	-	4.00-8(2)	5.00-8-8PR(2)	

\* Materials and specifications are subject to change without notice. Metric is precise but U.S. standard may be rounded.

- Option: Beacon lamp, Front Urethane tire, Non-Marking Tire and Cargo-deck, Suspension seat, Head guard.

 **HYUNDAI**  
HEAVY INDUSTRIES CO.,LTD.  
CONSTRUCTION EQUIPMENT DIVISION

HEAD OFFICE 1 CHEONHA - DONG, DONG-KU, ULSAN, KOREA  
(Sales Office) TEL : (82)52)230-7970, 7729 FAX: (82)52)230-7979, 7720

U.S. Operation Hyundai Construction Equipment U.S.A., Inc.  
955 ESTES AVENUE, ELK GROVE VILLAGE IL, 60007  
TEL : (1)847 - 437 - 3333 FAX : (1)847 - 437 - 3574

European Operation Hyundai Heavy Industries Europe N.V.  
VOSSENDAAL 11, 2440 GEEL, BELGIUM  
TEL : (32)14 - 562200 FAX : (32)14 - 593405 ~ 06

PLEASE CONTACT

[www.hyundai-ce.com](http://www.hyundai-ce.com)

EN - 2006. 6 rev.0